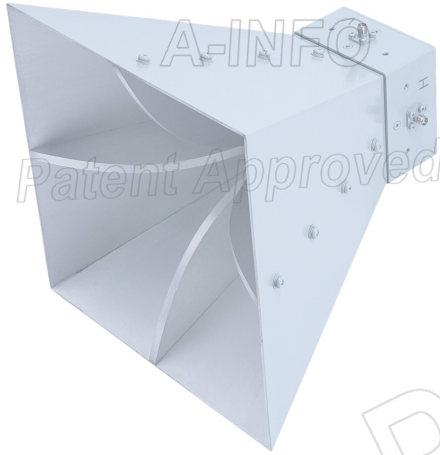


For reference only. See data sheet for the detailed specifications.

## Technical Specification



Frequency Range(GHz)	1.0 – 10.0
Gain(dBi)	10 Typ.
Polarization	Dual Linear
3dB Beamwidth(deg)	E Plane: 69 - 19
	H Plane: 72 - 22
Cross Pol. Isolation(dB)	30 Typ. ; 18 Min.
Port to Port Isolation(dB)	30 Typ. ; 20 Min.
VSWR	1.5:1 Typ.
	2.5:1 Max.
Output	SMA-Female or N-Female
Power Handling(W CW)	SMA-Female: 50 Max.
	N-Female: 50 Max.
Material	Al
Finish	Chemical Conversion Coating, Gray Paint
Size(mm)	204 x 204 x 211
Net Weight(Kg)	1.70 Around

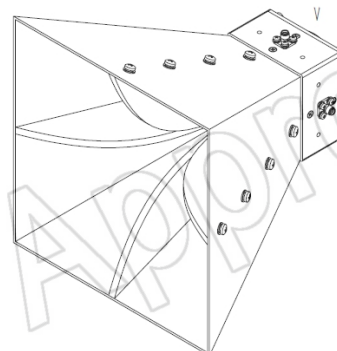
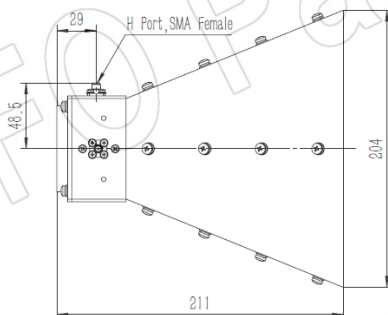
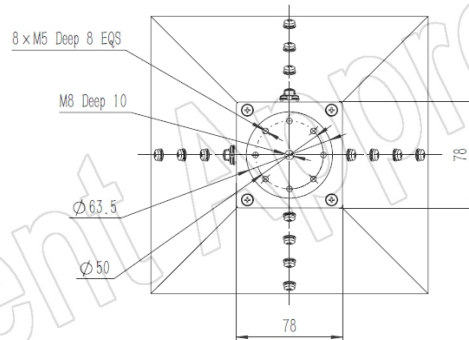
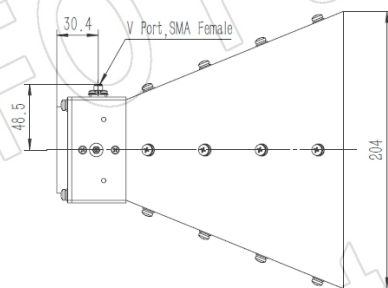
**PATENT ID (China)**

**ZL201630458465.1**

## Outline Drawing (Size: mm)

SMA-Female Output (P/N: LB-SJ-10100-SF)

For N-Female output outline drawing, please contact A-INFO.



**AINFO Inc.**

China(Beijing):  
China(Chengdu):  
USA :

Tel: (+86) 10-6266-7326,  
Tel: (+86) 28-8519-2786,  
Tel: (+1) 949-639-9688,

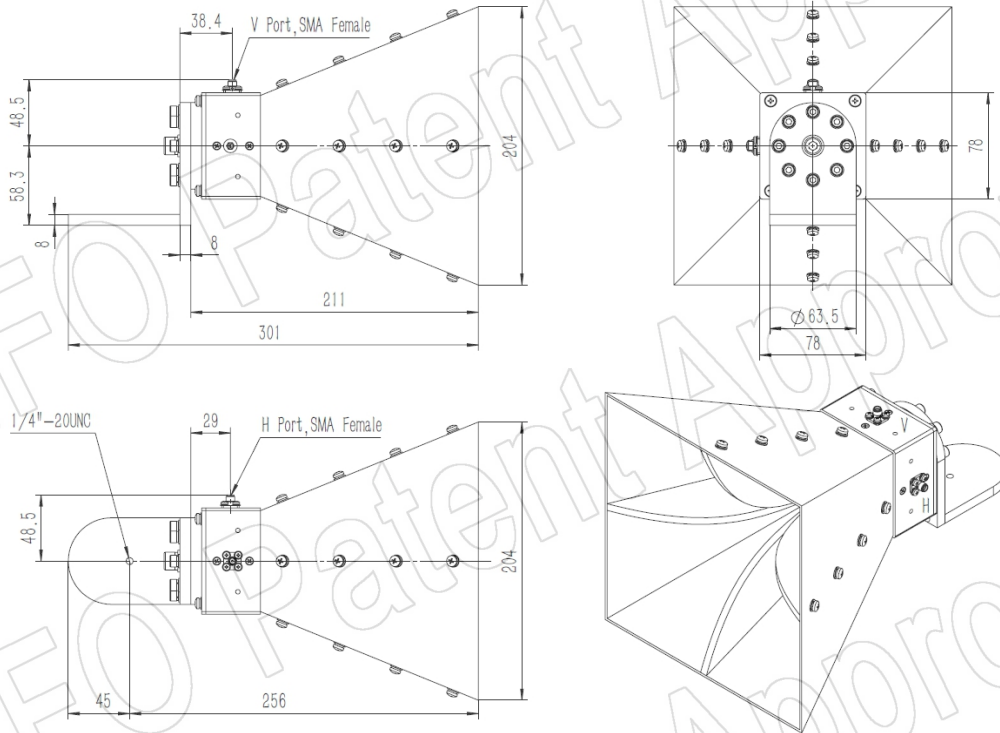
(+86) 10-6266-7327  
(+86) 28-8519-3044  
(+1) 949-639-9608

Fax: (+86) 10-6266-7379  
Fax: (+86) 28-8519-3068  
Fax: (+1) 949-639-9670

Website: [www.ainfoinc.com](http://www.ainfoinc.com)  
Email: [sales@ainfoinc.com](mailto:sales@ainfoinc.com)

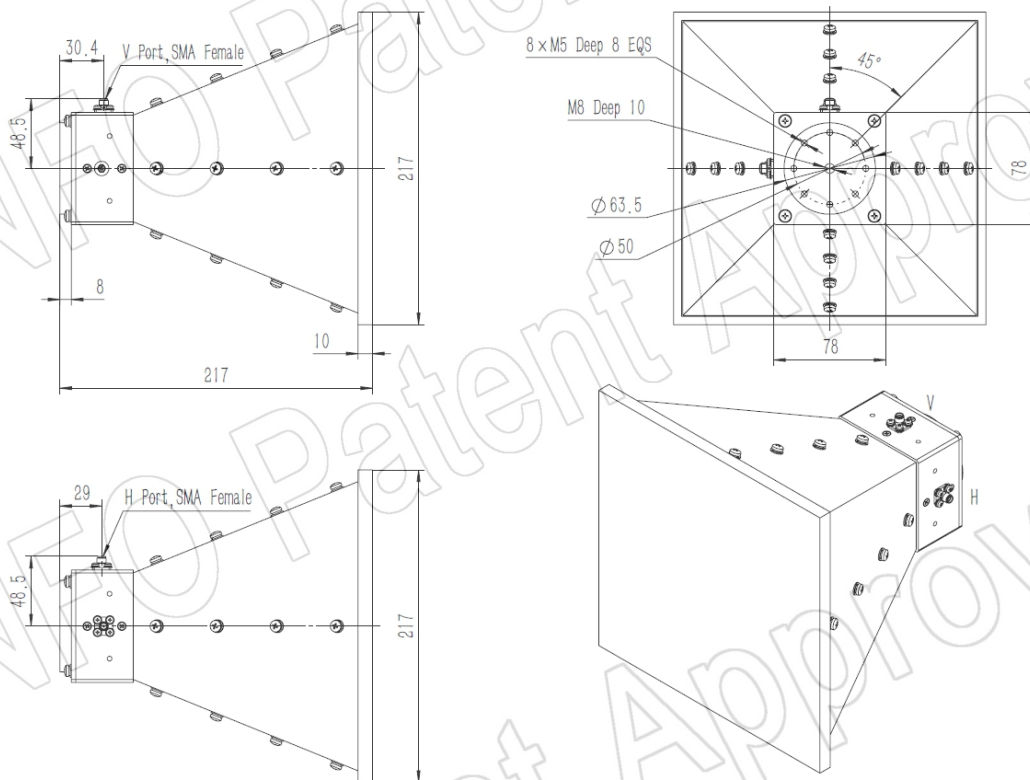
## SMA-Female Output with L Type Mounting Bracket (Option, P/N: LB-10180-L)

For N-Female output outline drawing, please contact A-INFO.



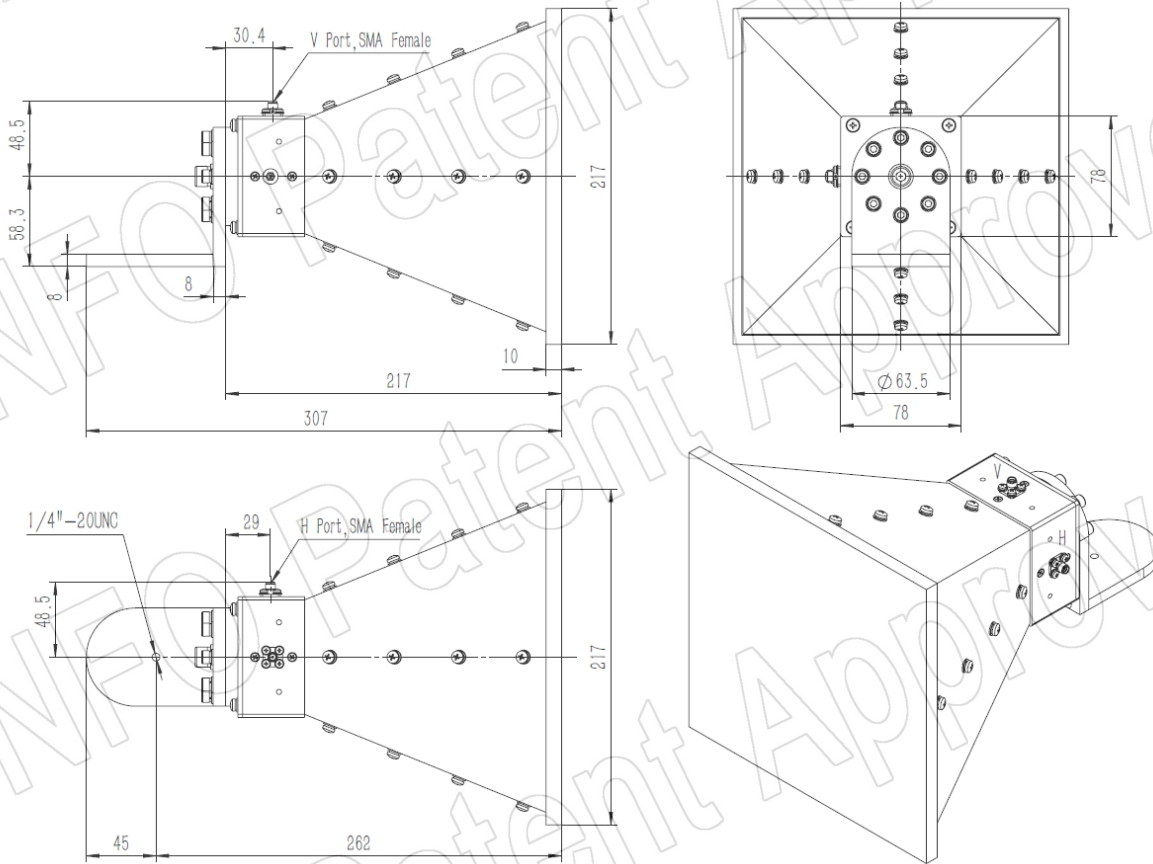
## SMA-Female Output with Radome (Option, P/N: LB-SJ-10100-SFSP0, Outdoor Application)

For N-Female output outline drawing, please contact A-INFO.



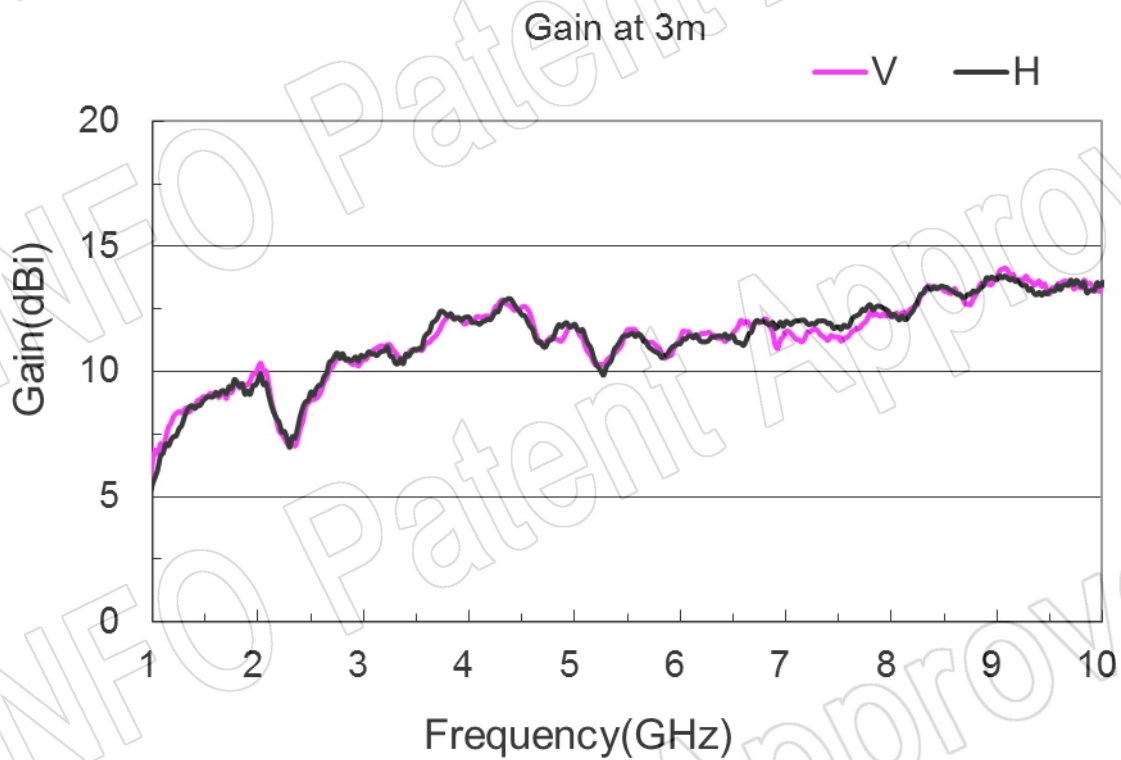
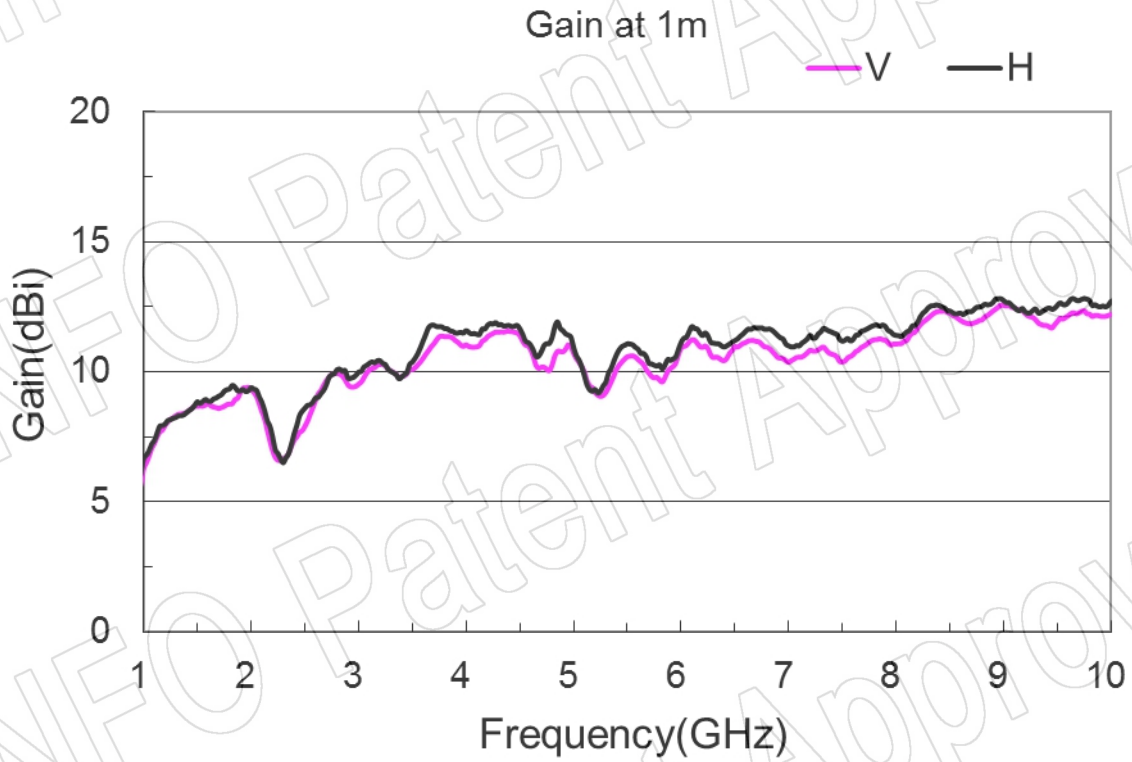
SMA-Female Output with L Type Mounting Bracket & Radome (Option, P/N: LB-10180-L & LB-SJ-10100-SFSP0, Outdoor Application)

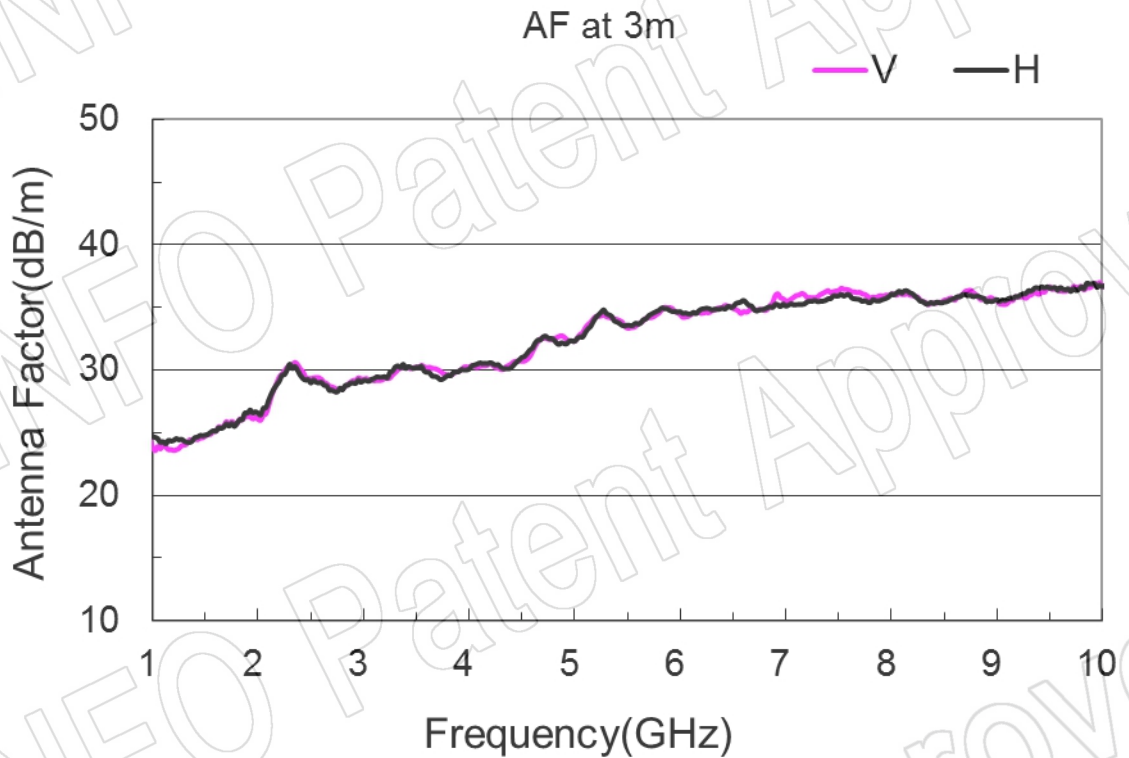
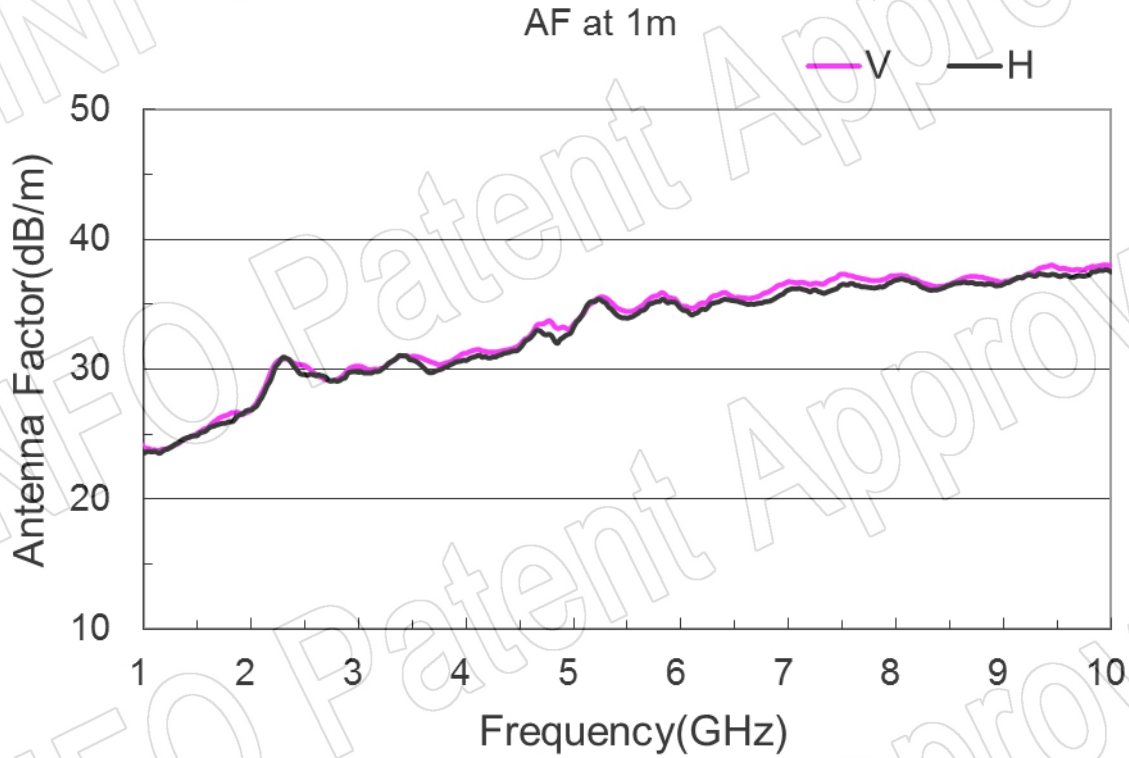
For N-Female output outline drawing, please contact A-INFO.



## Test Results

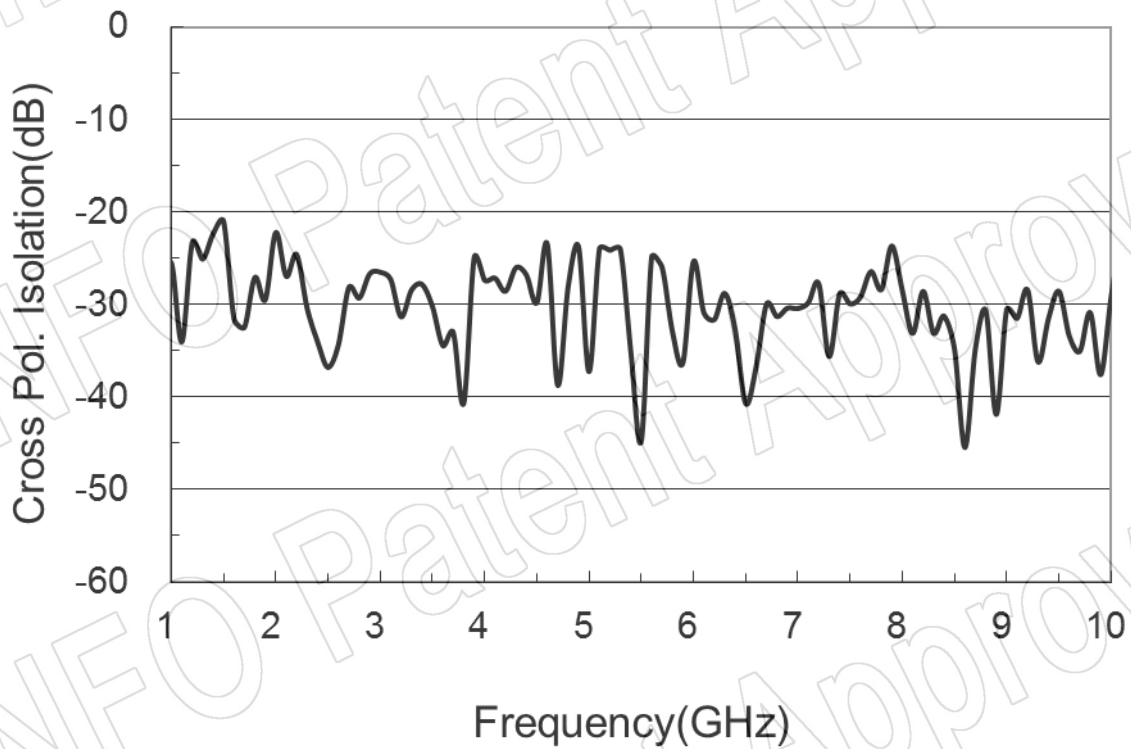
### 1. Gain & Antenna Factor



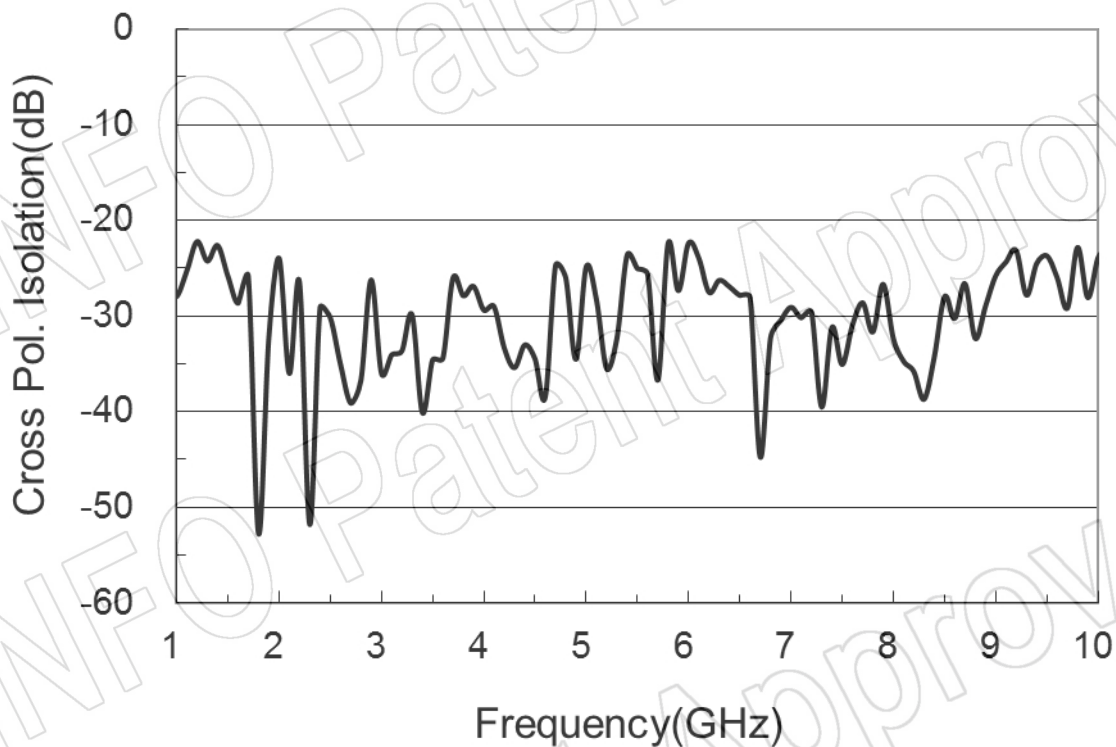


## 2. Cross Polarization Isolation

Port-H



Port-V



AINFO Inc.

China(Beijing):  
China(Chengdu):  
USA :

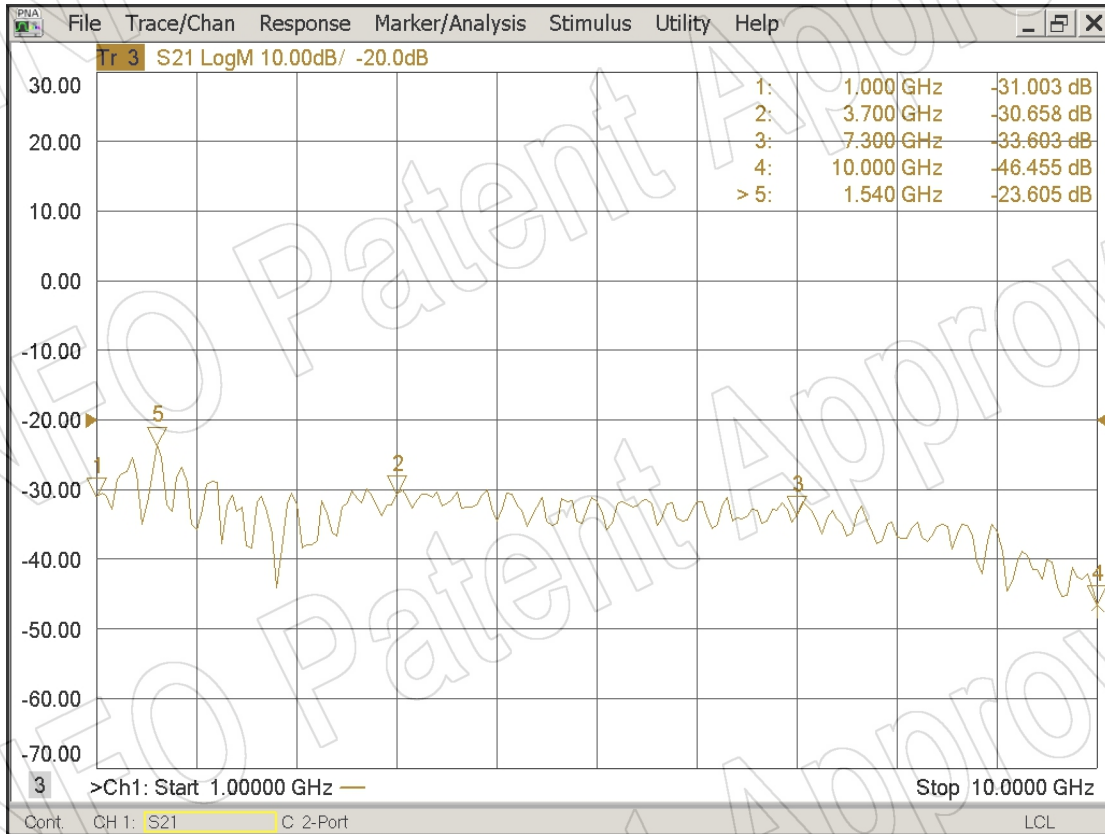
Tel: (+86) 10-6266-7326,  
Tel: (+86) 28-8519-2786,  
Tel: (+1) 949-639-9688,

(+86) 10-6266-7327  
(+86) 28-8519-3044  
(+1) 949-639-9608

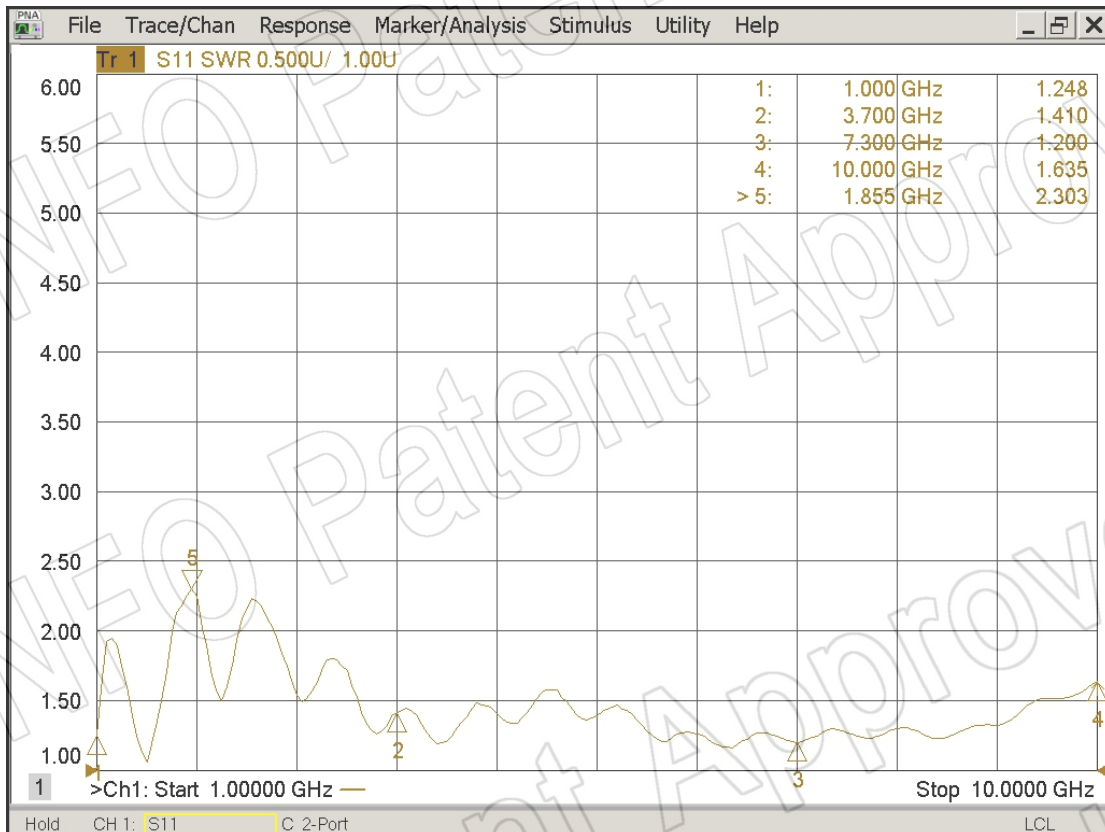
Fax: (+86) 10-6266-7379  
Fax: (+86) 28-8519-3068  
Fax: (+1) 949-639-9670

Website: [www.ainfoinc.com](http://www.ainfoinc.com)  
Email: [sales@ainfoinc.com](mailto:sales@ainfoinc.com)

### 3. Port to Port Isolation



### 4. VSWR Port-H



**AINFO Inc.**

China(Beijing):  
China(Chengdu):  
USA :

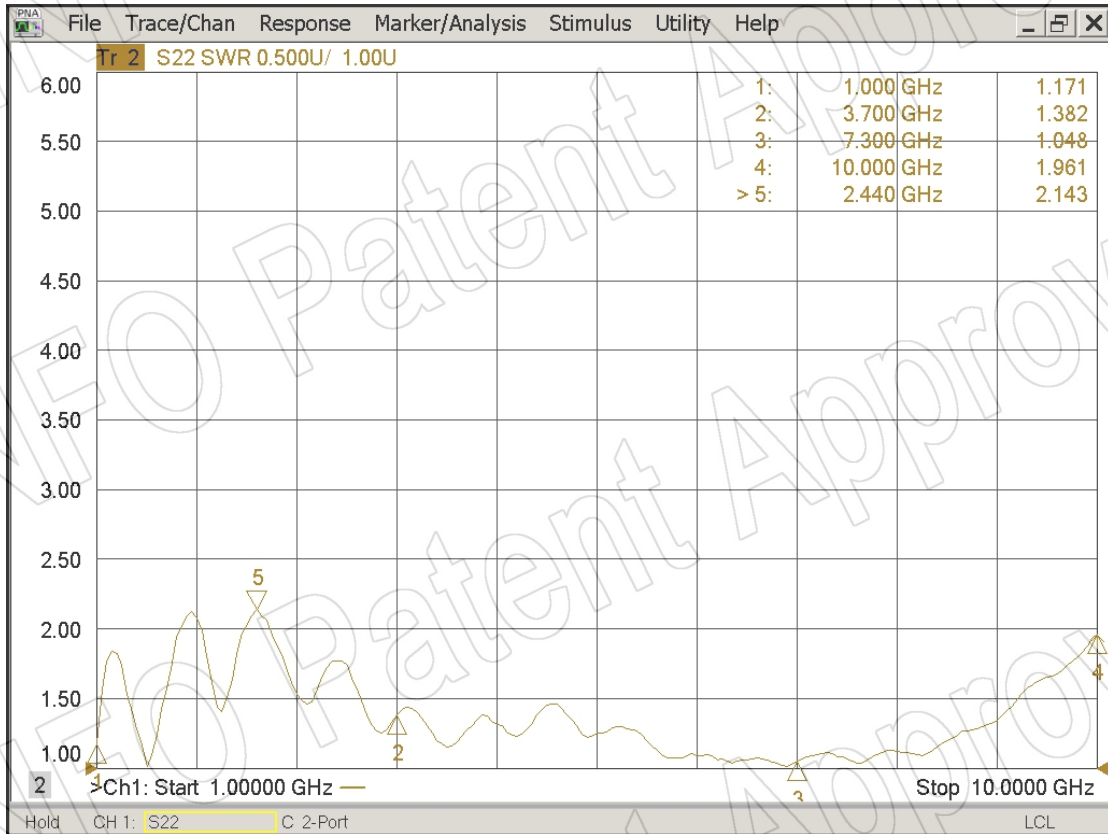
Tel: (+86) 10-6266-7326,  
Tel: (+86) 28-8519-2786,  
Tel: (+1) 949-639-9688,

(+86) 10-6266-7327  
(+86) 28-8519-3044  
(+1) 949-639-9608

Fax: (+86) 10-6266-7379  
Fax: (+86) 28-8519-3068  
Fax: (+1) 949-639-9670

Website: [www.ainfoinc.com](http://www.ainfoinc.com)  
Email: [sales@ainfoinc.com](mailto:sales@ainfoinc.com)

Port-V



## 5. Pattern

